

AERIAL WORK PLATFORM

PARTS MANUAL

(GTWY SERIES)

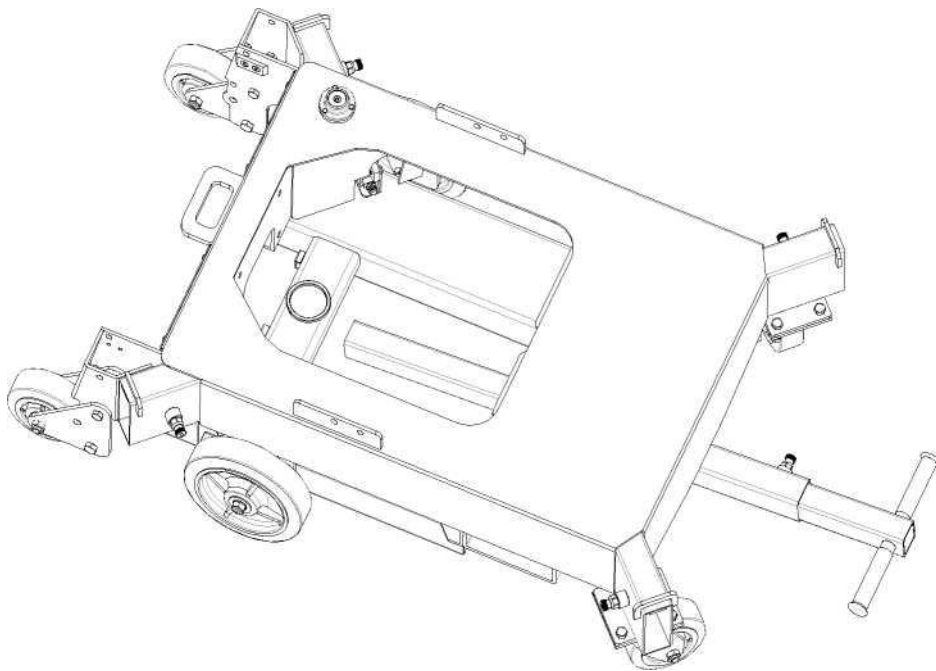
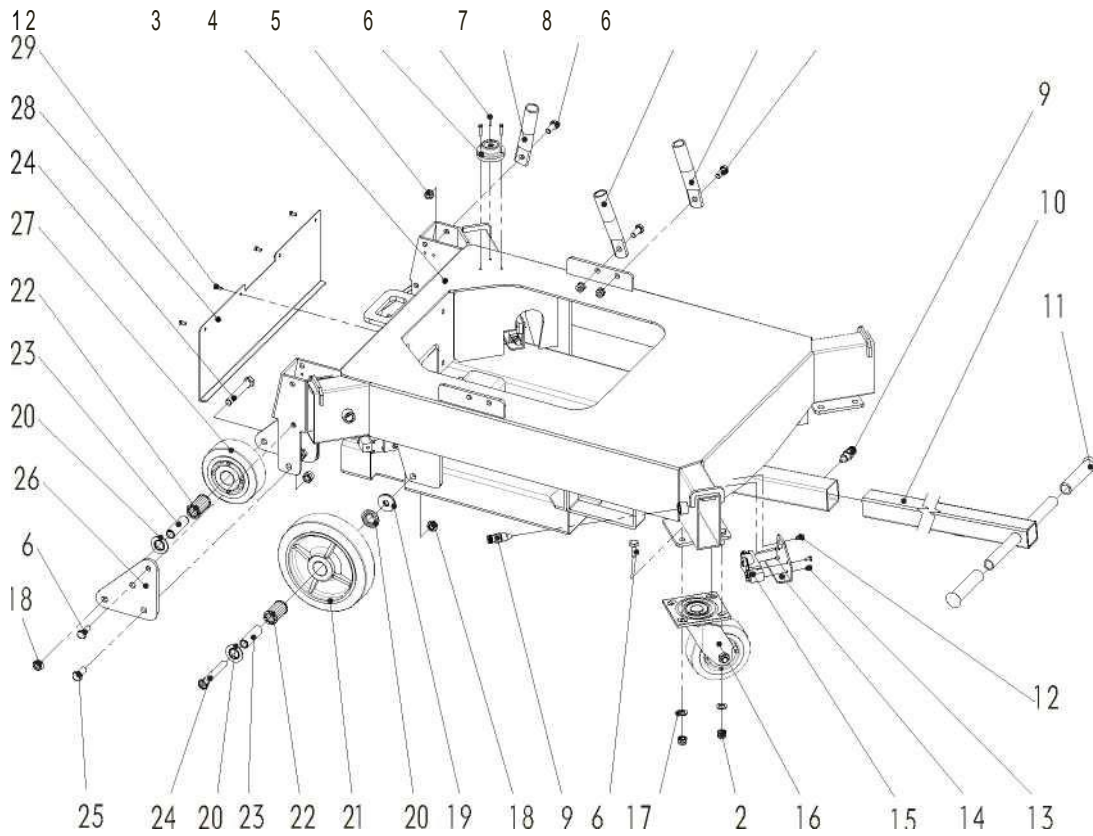
Important

All the information contained in this booklet is based on the data available at the time of printing, the manufacturer reserves the right to modify its products at any time, without notice and without liability, It is therefore advisable to regularly check for any changes.

Table of Contents

	Page
• Base Assembly.....	1
• Mast Components.....	3
• Column Assembly.....	3
• Column Attached Parts without Tilt-back Frame.....	6
• Column Attached Parts with Tilt-back Frame.....	8
• Lifting Chain Assembly.....	10
• Platform Assembly.....	12
• Hydraulic Assembly.....	13
• Power Groups.....	14
• Outrigger Assembly.....	15
• Tilt-back Frame Assembly.....	16

Base Assembly

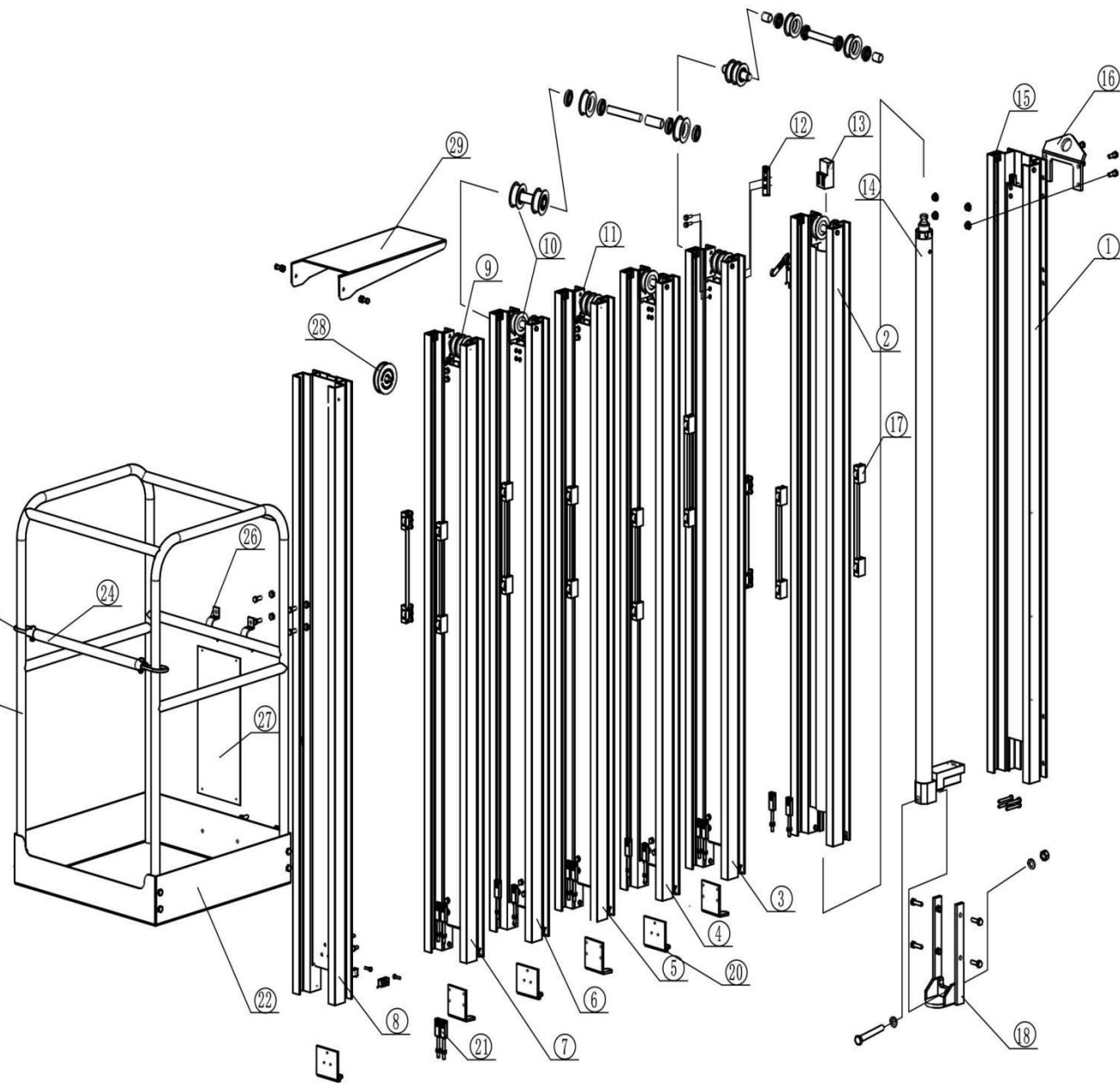


Base Assembly

Base Parts

Item	Part No.	Description	Base	Assembly	Remark
1	AWP12-111000	Base weldment	1		
2	GB/T889.1-2000	Nut M10	18		
3	GTWY10-51009	Bubble level	1		
4	GB/T5783-2000	Bolt M4x20	3		
5	AWP12-100001 ⁽⁸⁾	Mast brace 1	2		Symmetrical parts
6	GB/T5783-2000	Bolt M10x25	8		
7	AWP12-100002 ⁽⁸⁾	Mast brace 2	2		Symmetrical parts
8	AWP12-100003 ⁽⁸⁾	Mast brace 3	2		Symmetrical parts
9	AWP12-112000	Lock pin	5		
10	AWP12-113100	T-Handle weldment	1		
11	GTWY8-810002	Handle grip	2		Rubber
12	GB/T5783-2000	Bolt M6x12	8		
13	GB/T818-2000	Screw M5x10	16		
14	AWP12-110001 ⁽⁸⁾	Microswitch bracket	4		
15	AZ8104	Microswitch	4		
16	AWP12-114000	Caster (5"x2 ^M)	2		
17	GB/T95-2002	Washer 10	12		
18	GB/T889.1-2000	Nut 1/2"	4		
19	GB/T96.1-2002	Washer 12	4		
20	AWP12-114002	Dust cap	12		
21	AWP12-115001	Wheel (8"x2")	2		
22	AWP12-114100	Bearing	6		
23	AWP12-114003	Bush	6		
24	AWP12-114004	Bolt 1/2"	6		
25	GB/T5783-2000	Bolt M12x25	4		
26	AWP12-110002	Plate	4		
27	AWP12-114001	Wheel (5"x2")	2		
28	AWP12-110003	Rear shield	1		
29	GB/T5783-2000	Bolt M5x10	4		

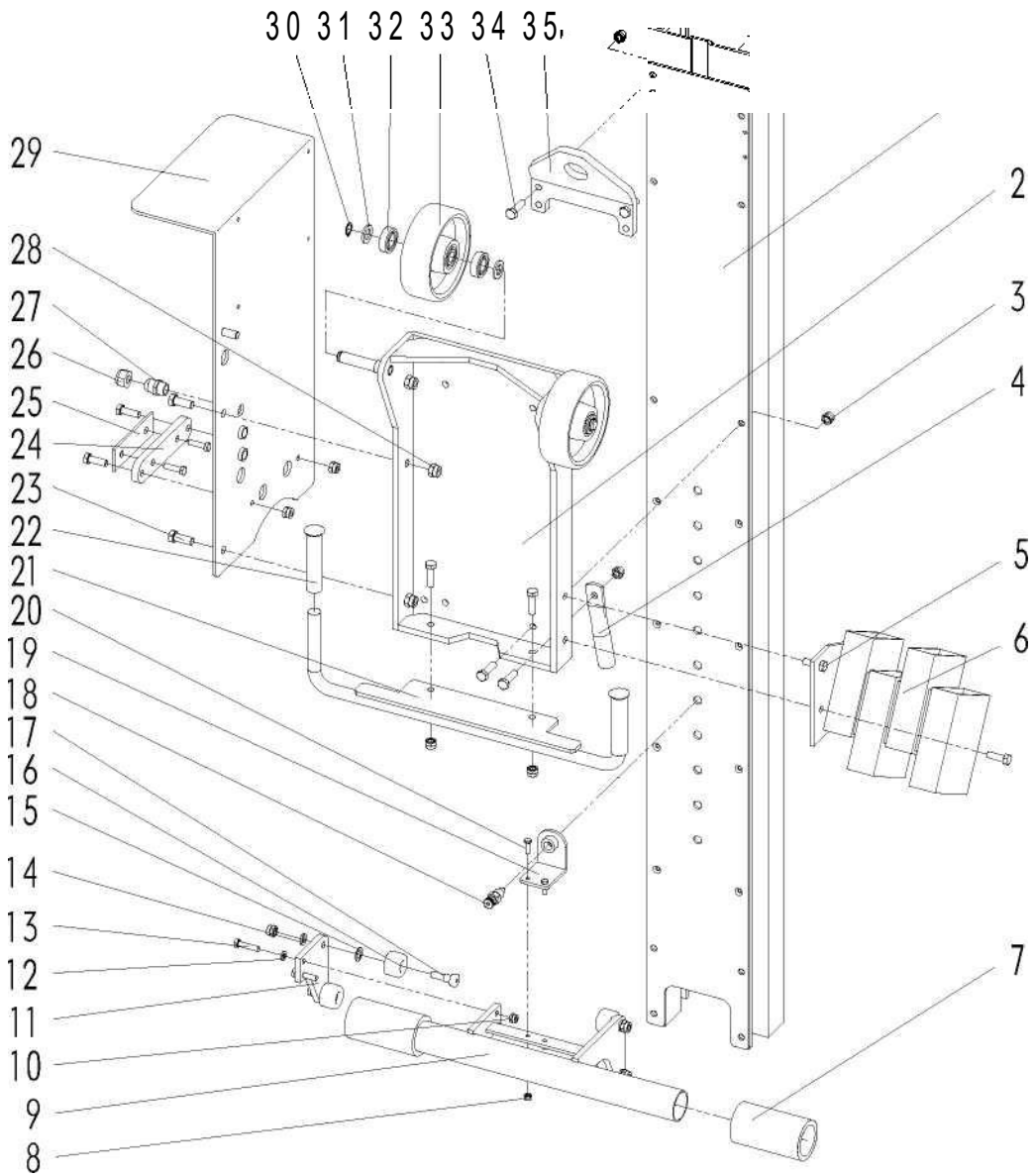
Column Assembly



Column Parts

Item	Part No.	Description	Qty	Remark
1	AWP8-122001	Column 1	1	For AWP8/AWP10
	AWP12-122001	Column 1	1	For AWP12/AWP14
2	GTWY10-320100	Carriage (400)	12	For AWP10
	GTWY8-320100	Carriage (330)	8	For AWP8
	AWP12-122100	Carriage (600)	12/10	For AWP14/ AWP12
3	AWP8-122002	Column 2	1	For AWP10
	AWP6-121002	Long column	1	For AWP8
	AWP12-122002	Column 2	1	For AWP12/AWP14
4	GTWY8-320011	Rubber pad	1	
5	GTWY8-320012	Angle block	1	
6	GB/T5783-2000	Bolt M4x12	3	
7	AWP8-122003	Column 3	2/1	For AWP10/AWP8
	AWP12-122003	Column 3	1/2	For AWP12/AWP14
8	GTWY8-320007	Hold bolt	3/2	For AWP10.14/AWP8.12
9	GB/T 276-1994	Bearing 6200	3/2	For AWP10.14/AWP8.12
10	GTWY8-320008	Pulley	3/2	For AWP10.14/AWP8.12
11	AWP8-122004	Column 4	1	For AWP10
	AWP12-122004	Column 4	1	For AWP12/AWP14
12	GB/T823-2000	Screw M4x16	12/10/8	For AWP10.14/AWP12/8
13	GTWY8-320019	Semi-odd cable clip	3/2	For AWP10.14/AWP8.12
14	AWP10-121001	Long column	1	For AWP12
15	GTWY8-320018	Slide block	24/20/16	For AWP10.14/AWP12/8
16	GB/T97.1-2002	Washer 4	26/22/18	For AWP10.14/AWP12/8
17	GB/T 5285-1985	Screw ST6.3x19	24/20/16	For AWP10.14/AWP12/8
18	AWP8-122005	Column 5	1	For AWP10
	AWP12-122005	Column 5	1	For AWP14
19	GTWY8-320024	Screw nut	1	
20	GTWY8-320023	Increaser	1	
21	AWP8-122006	Column 6	1	For AWP10
	AWP12-122006	Column 6	1	For AWP14
	AWP10-121002	Short column	1	For AWP12
	AWP6-121001	Short column	1	For AWP8
22	GB/T 5783-2000	Bolt M6x12	4	
23	AWP12-122007	Panel board	1	
24	AWP12-122011	Harness anchor	1	
25	GB/T41-2000	Nut M8	2	
26	GB/T889.1-2000	Nut M8	2	

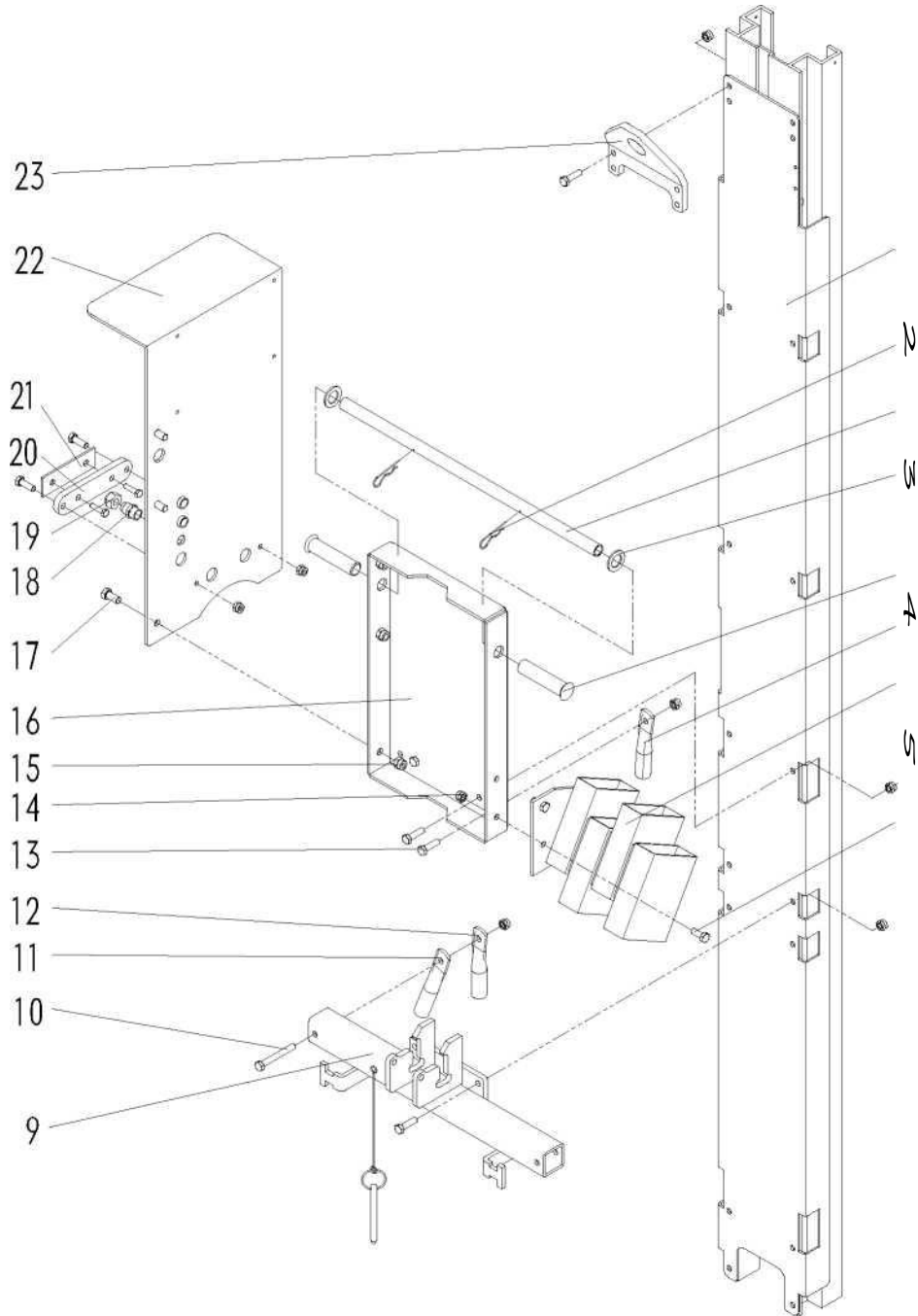
Column Attached Parts



**Column Attached Parts
without Tilt-back Frame**

Item	Part No.	Description	Qty	Remark
1	AWP8-121001	Mast backboard	1	
2	AWP8-121110	Bracket mount	1	
3	GB/T 889.1-2000	Nut M10	22	
4	AWP12-100003(8)	Mast brace 3	2	Symmetrical parts
5	GB/T 5783-2000	Bolt M10x30	8	
6	AWP12-121210	Outrigger storage bracket	1	
7	AWP12-182001	Bumper	2	
8	GB/T 889.1-2000	Nut M6	2	
9	AWP8-121410	Roller carrier	1	
10	GB/T 889.1-2000	Nut M8	2	
11	AWP8-121401	Plate	1	
12	GB/T 97.3-2000	Washer 8	2	
13	GB/T 5783-2000	Bolt M8x30	2	
14	GB/T 97.3-2000	Washer 10	4	
15	AWP12-182102	Roller washer	8	
16	AWP8-121421	Roller	4	
17	AWP8-121422	Roller hold bolt	4	
18	AWP12-112000	Lock pin	1	
19	AWP8-121310	Pivot holder	1	
20	GB/T 5783-2000	Bolt M6x20	2	
21	AWP8-121200	U-Handle weldment	1	
22	GTWY8-810002	Handle grip	12	
23	GB/T 5783-2000	Bolt M12x30	3	
24	AWP12-121303	Pump mounting bar	1	
25	AWP12-121304	Rubber pad	1	
26	DYT2-3.5T-11000-08	Screw nut	3	
27	DYT2-3.5T-11000-07	Increaser	3	
28	GB/T 889.1-2000	Nut M12	3	
29	AWP12-121301	Motor mount plate	1	
30	GB/T 894.1-1986	Circlip 17	2	
31	GB/T 95-2002	washer 16	4	
32	GB/T 276-1994	Bearing 6203	4	
33	DYT2-3.5T-11000-01	Wheel (5"x2 ^M)	2	
34	GB/T 5783-2000	Blot M10x35	20	
35	AWP12-121002	Lifting eye	1	

Column Attached Parts
with Tilt-back Frame

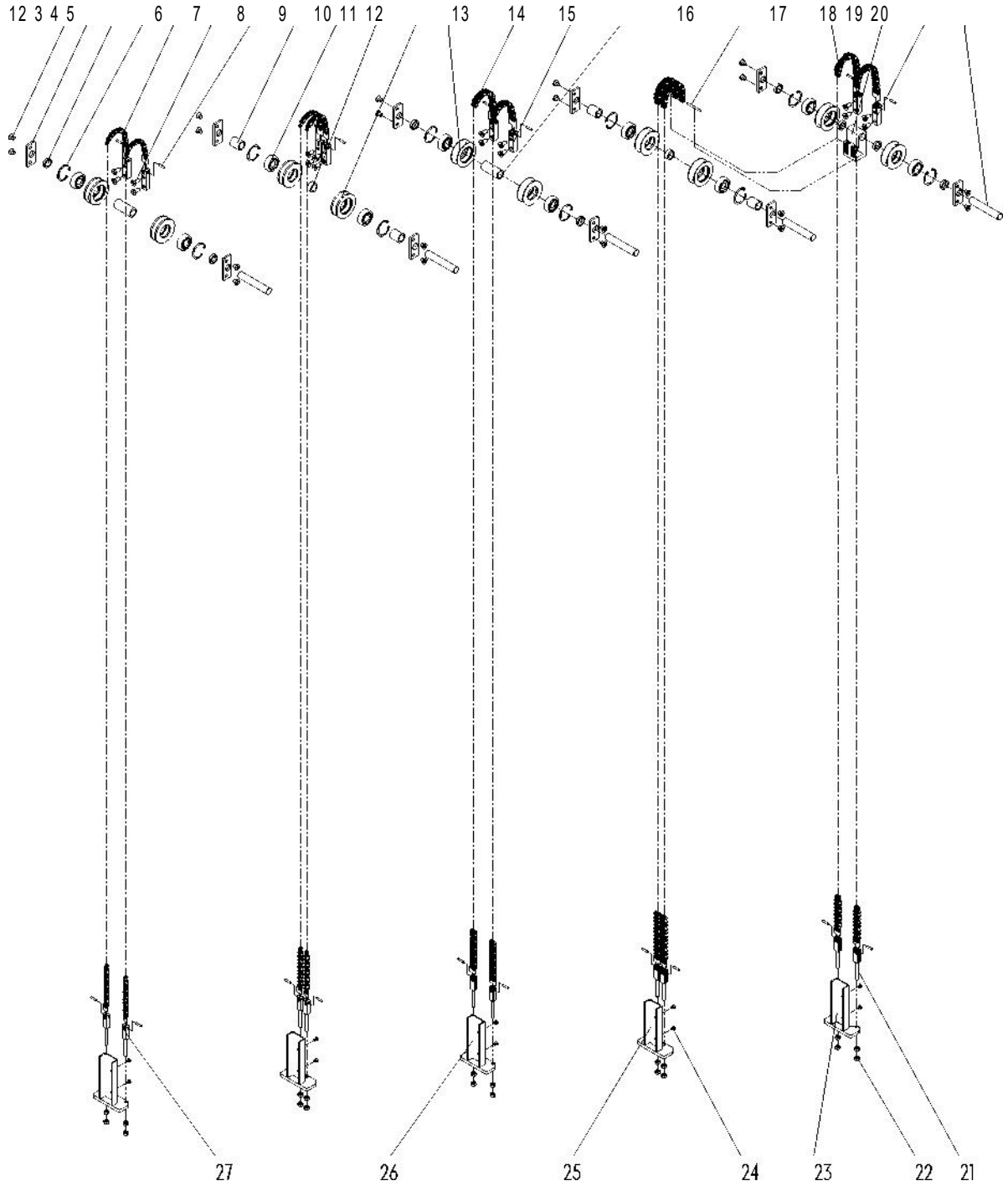


**Column Attached Parts
with Tilt-back Frame**

Item	Part No.	Description	Qty	Remark
1	AWP12-121001	Mast backboard	1	
2		Clip(hair pin)	2	
3	AWP12-121202	Tube	1	
4	GB/T 95-2002	Washer 5	2	
5	EGTWY8-810002	Handle grip	2	
6	AWP12-100003(8)	Mast brace 3	2	Symmetrical parts
7	AWP12-121210	Outrigger storage bracket	1	
8	GB/T 5783-2000	Bolt M10x30	8	
9	AWP12-121100	Must mid bracket	1	
10	GB/T 5783-2000	Bolt M10x75	2	
11	AWP12-100001(8)	Mast brace 1	2	Symmetrical parts
12	AWP12-100002(8)	Mast brace 2	2	Symmetrical parts
13	GB/T 5783-2000	Bolt M10x35	18	
14	GB/T 889.1-2000	Nut M10	24	
15	GB/T 889.1-2000	Nut M12	3	
16	AWP12-121201	Bracket mount	1	
17	GB/T 5781-2000	Bolt M12x30	3	
18	DYT2-3.5T-11000-07	Increaser	3	
19	DYT2-3.5T-11000-08	Screw nut	3	
20	AWP12-121303	Pump mounting bar	1	
21	AWP12-121304	Rubber pad	1	
22	AWP12-121301	Motor mount plate	1	
23	AWP12-121002	Lifting eye	1	

Lifting Chain Assembly

Lifting Chain Assembly

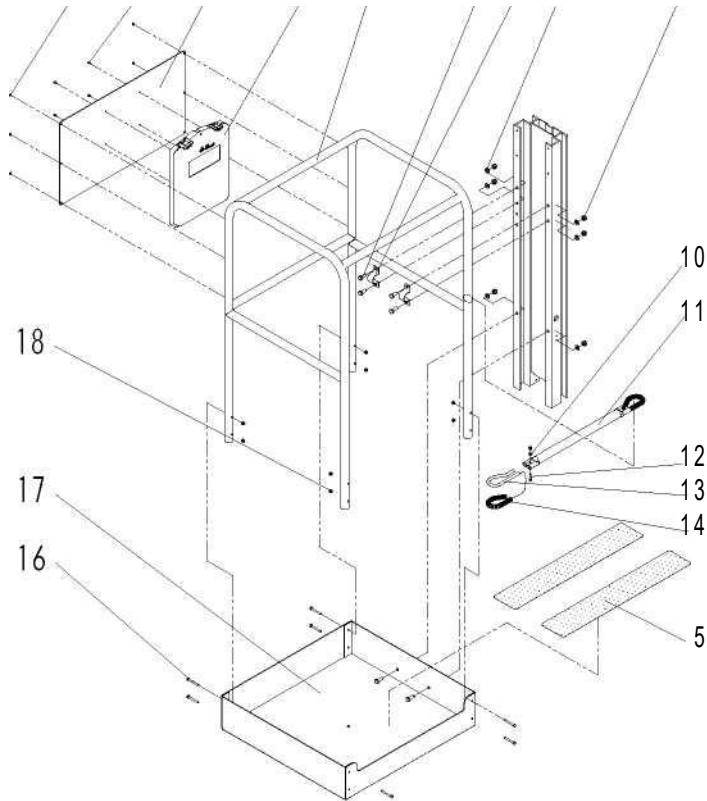


Lifting Chain Assembly

Lifting Chain Parts

Item	Part No.	Description	Qty	Remark
1	GB/T 819.2-1997	Screw M10x12	20	
2	GTWY8-320201	Plate	10	
3	GTWY8-320302	Spacer (4)	8	
4	GB/T 893.1-1986	Circlip 47	10	
5	GB6074-1995	LH0822-143	4	For AWP8/AWP10
	GB6074-1995	LH0822-205	4	For AWP12/AWP14
6	GB/T 819.2-1997	Screw M10x20	16	
7	GTWY8-13152	Pin	18	
8	GTWY8-320205	Spacer (2)	4	
9	GB/T 276-1994	Bearing 6204	10	
10	GTWY8-320204	Spacer (1)	2	
11	GTWY8-320303	Chain wheel	4	
12	GTWY8-320203	Dual chain seat	6	
13	GB6074-1995	LH0844-143	4	For AWP10
	GB6074-1995	LH0844-205	4/2	For AWP14/AWP12
14	GTWY8-320016	Upper chain seat	4	
15	GTWY8-320301	Spacer (3)	2	
16	GTWY8-13172	Long pin	1	
17	GB6074-1995	LH0844-145	2	For AWP8/AWP10
	GB6074-1995	LH0844-207	2	For AWP12/AWP14
18	GTWY8-320401	Chain seat	1	
19	GTWY8-320014	Upper dual chain seat	4/2	For AWP10.14/AWP8.12
20	GTWY8-320202	Shaft	5	
21	GTWY8-320015	Lower dual chain seat	4/2	For AWP10.14/AWP12.8
22	GB/T 41-2000	Nut M10	20	
23	GTWY8-320600	Dragger	1	
24	GB/T 819.2-1997	Screw M6x8	10	
25	GTWY8-320700	Dragger 2	2/1	
26	GTWY8-320800	Dragger 3	2/1	
27	GTWY8-320017	Lower chain seat	4	

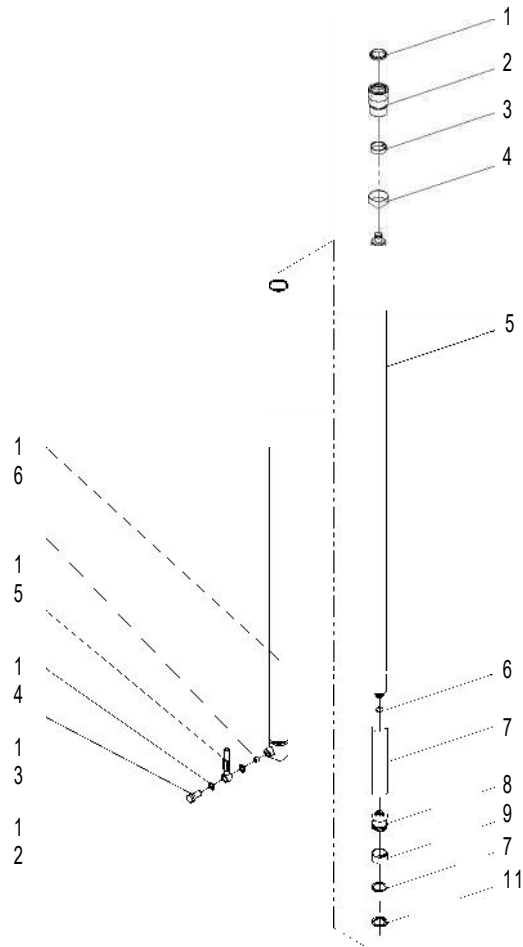
Platform Assembly



Platform Parts

Item	Part No.	Description	Qty	Remark
1	GB/T 12615.3-2004	Rivet 5x10	6	
2	GB/T 5783-2000	Screw M4x8	4	
3	GTBZ16A-43500	Manuals storage	1	
4	AWP12-140002	Board	1	
5	AWP12-141000	Railing weldment	1	
6	GB/T 5783-2000	Bolt M10x25	6	
7	AWP12-140003	Platform mount clamp	2	
8	GB/T 95-2002	Washer 10	6	
9	GB/T 889.1-2000	Nut M10	6	
10	GB/T 95-2002	Washer 6	2	
11	AWP12-142003	Mid rail tube	1	
12	GB/T 5783-2000	Bolt M6x25	2	
13	AWP12-142002	Mid-rail guide	2	
14	AWP12-142001	Loom	2	
15	AWP12-140004	Non-skid tape	2	
16	GB/T 5783-2000	Bolt M6x50	8	
17	AWP12-140001	Toeboard	1	
18	GB/T 889.1-2000	Nut M6	10	

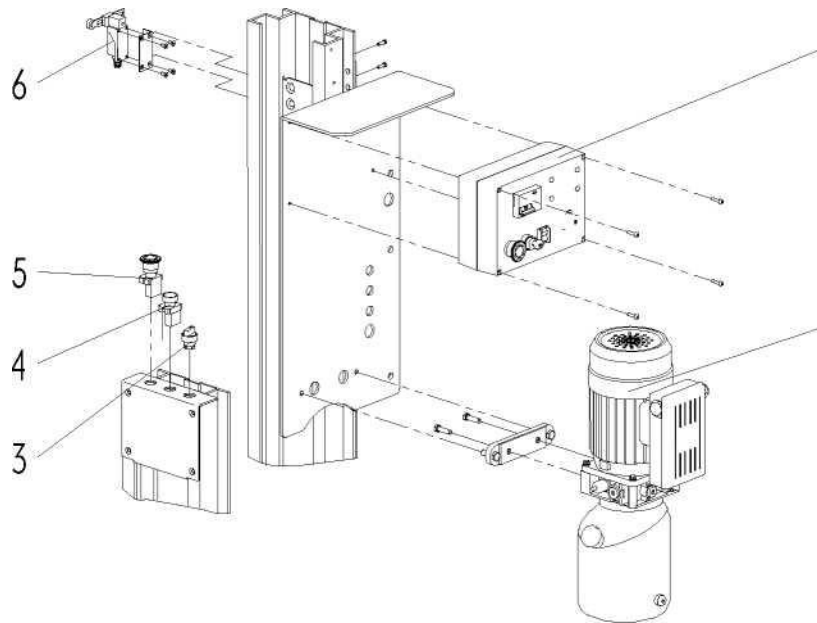
Hydraulics Assembly



Hydraulics Parts

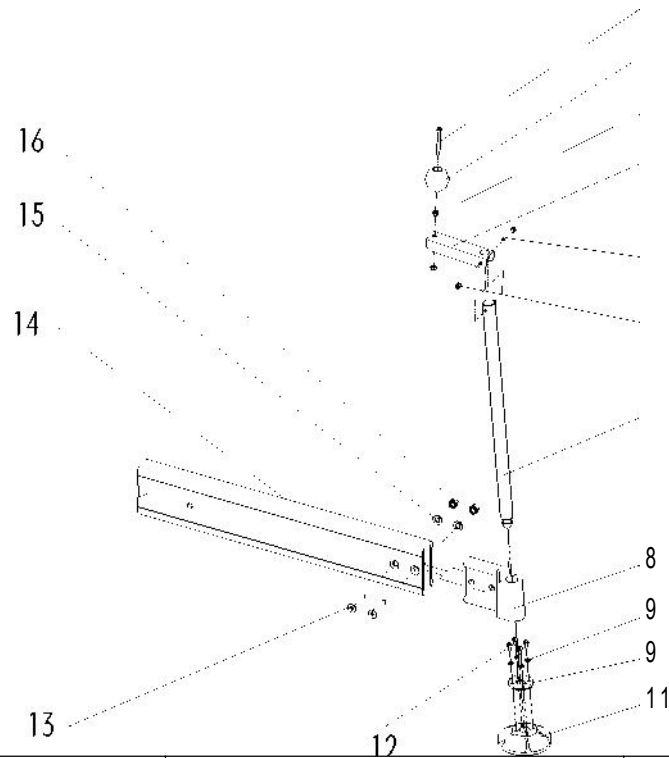
Item	Part No.	Description	Qty	Remark
1	DH 40	Dust seal	1	
2	AWP12-151008	Cylinder cap	1	
3	AWP12-151010	Wearing strap 12X2.5	1	
4	AWP12-151009	Plastic sleeve	1	
5	AWP8-151003	Piston rod	1	
6	GB/T 895.2-1986	Wire circlip 25	1	
7	AWP8-151002	Sleeve	1	
8	AWP12-151003	Piston	1	
9	AWP12-151004	Wearing strap 20X2.5	1	
10	DQ35	Packing ring	1	
11	USH 35	Packing cup	1	
12	TYYGSL-001	Special bolt	1	
13	TYDP-001	Gasket	2	
14	AWP12-150001	Oil hose unit	1	
15	DYT2-3.5T-15120-00	Explosion-safe valve	1	
16	AWP8-151100	Cylinder	1	

Power Groups



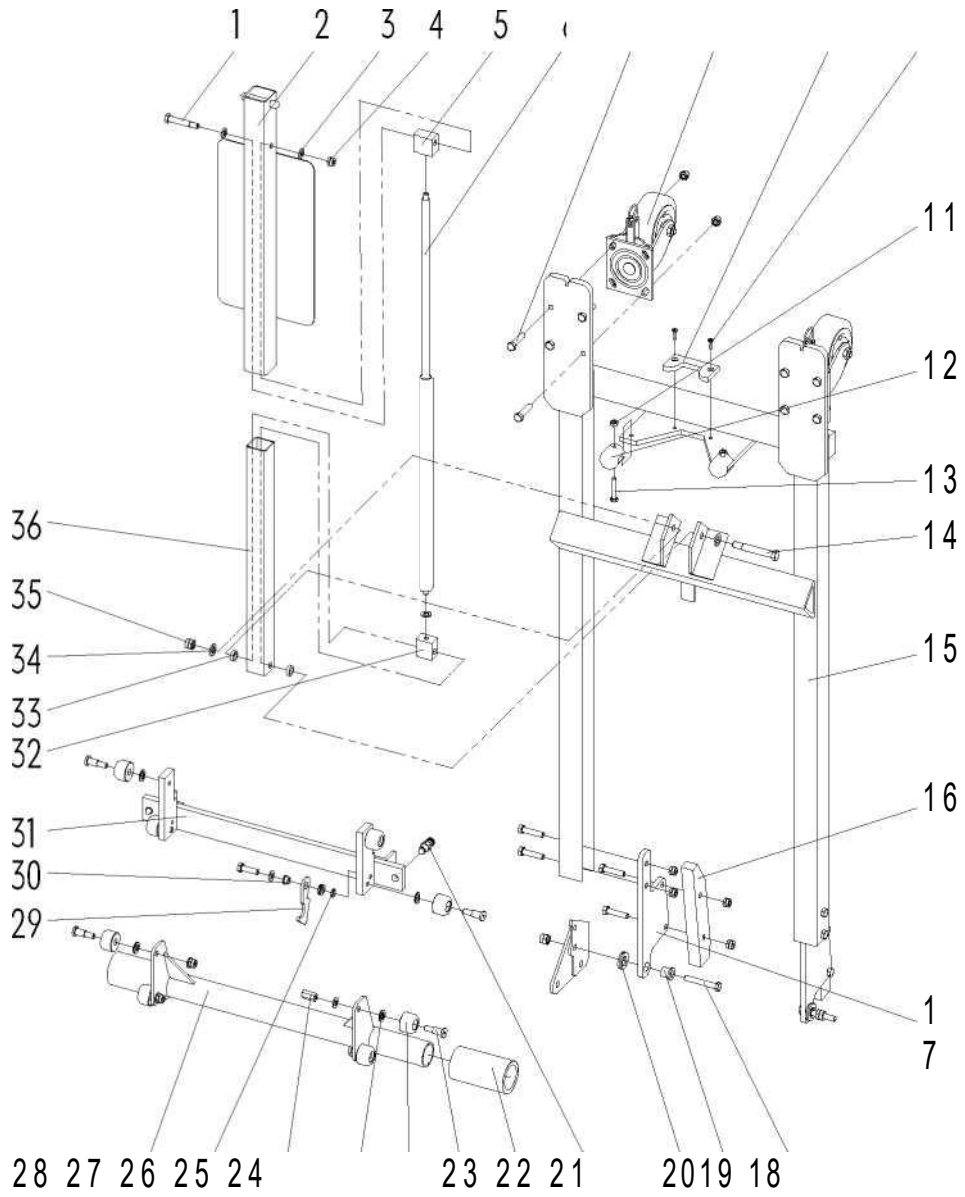
Power Groups Components

Item	Part No.	Description	Qty	Remark
1	AWP12-161000	Control box	1	
2	AWP12-162000	Hydraulic power unit	1	
3	ZB2BD5C/ZB2BZ103C-6A	Up/down switch	1	
4	ZB2BA3C/ZB2BZ103C-6A	Control activate button	1	
5	ZB2BS54C/ZB2BZ102C-6A	Emergency stop switch	1	
6	AZ 104 5A-250V/AC	Microswitch	1	

Outrigger Parts**Outrigger Assembly**

Item	Part No.	Description	Qty	Remark
1	GB/T 65-2000	Screw M6x55	1	
2	AWP12-170005	Handle ball knob	1	
3	GB/T 41-2000	Nut M6	2	
4	AWP12-170004	Handle	1	
5	GB/T 65-2000	Screw M6M0	1	
6	GB/T 889.1-2000	Nut M6	1	
7	AWP12-170003	Leveling rod	1	
8	AWP12-170002	Leveling jack casting	1	
9	GB/T 93-1987	Washer 6	4	
10	AWP12-170006	Footpad retainer	2	
11	AWP12-170007	Footpad	1	
12	GB/T 65-2000	Screw M6x10	4	
13	GB/T 819.2-1997	Bolt M10x50	2	
14	AWP8-140001	Outrigger tube	1	
15	GB/T 95-2002	Washer 10	2	
16	GB/T 889.1-2000	Nut M10	2	

Tilt-back Frame Assembly



Tilt-back Frame Parts

Item	Part No.	Description	Qty	Remark
1	GB/T 27-1988	Bolt M10x65	1	
2	AWP12-183100	Gas spring upper tube weldment	1	
3	GB/T 95-2002	Washer 10	12	
4	GB/T 889.1-2000	Nut M10	22	
5	AWP12-183001	Gas spring upper mount block	1	
6	AWP12-183200	Gas spring	1	
7	GB/T 5782-2000	Bolt M10x45	16	
8	AWP12-185000	Caster with lock 5"x2"	1	
9	AWP12-180005	Align block	1	
10	GB/T 819.1-2000	Screw M6x20	2	
11	GB/T 41-2000	Nut M8	2	
12	AWP12-180001	Nylon pad	2	
13	GB/T 5783-2000	Bolt M8x45	2	
14	GB/T 27-1988	Bolt M12x90	1	
15	AWP12-181000	Tilt-back frame	1	
16	AWP12-180003	Guide block	2	
17	AWP12-180002	Tilt-back joint plate	2	
18	GB/T 5783-2000	Bolt M10x55	2	
19	AWP12-180004	Bush	2	
20	GB/T 95-2002	Washer 18	4	
21	AWP12-112000	Lock pin	2	
22	AWP12-182001	Bumper	2	
23	AWP12-182101	Roller hold bolt	8	
24	AWP12-182103	Roller	8	
25	AWP12-182102	Roller washer	16	
26	AWP12-182002	Coupling rod	1	
27	GB/T 93-1987	Washer 10	1	
28	AWP12-182200	Pivot weldment	1	
29	AWP12-184002	Hooker	1	
30	AWP12-184001	Hook bush	1	
31	AWP12-184000	Pivot stop weldment	1	
32	AWP12-183003	Gas spring lower mount block	1	
33	AWP12-183004	Spacer	2	
34	GB/T 95-2002	Washer 12	2	
35	GB/T 889.1-2000	Nut M12	1	
36	AWP12-183002	Gas spring lower tube	1	